

MAGNETIC TRACKS

WH BK

In the MAG- 45 we offer 3 models of tracks with different size and mounting options. To make it comfortable for creating lines of light at various lengths our tracks are available in 5 versions: 0,5m, 1m, 1,5m, 2m and 3 m. Colours available for all models: white or black.

MAG-TRACK-4560-F

This track can be installed with no visible frame. Collars can be hidden during finishing works.



MAG-TRACK-4563

This track can be mounted into a niche, to the ceiling, or with a pendant mounting kit.



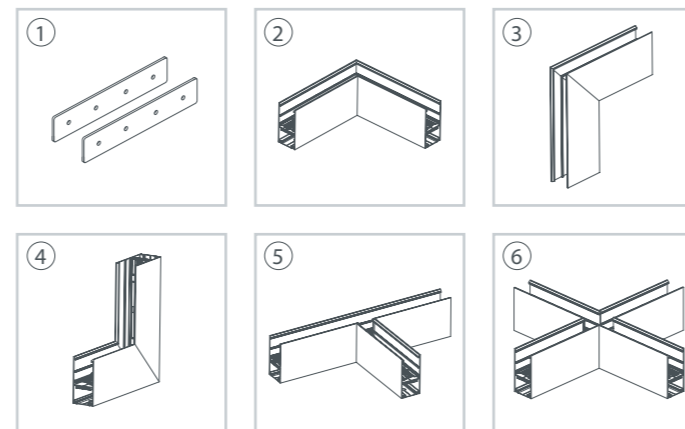
MAG-TRACK-4592

Suitable for surface mounting or mounting with a pendant mounting kit.



ACCESSORIES

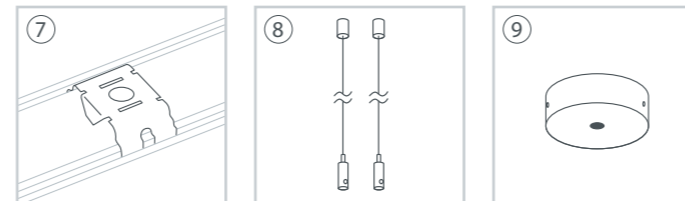
Accessories for extending the tracks and their branching:



- 1 **MAG-CON-45** — connectors for track extensions
- 2 **MAG-CON-L90** — a 90-degree connector for changing the track orientation
- 3 **MAG-CON-L90-EXT** — a 90-degree connector for changing the track orientation (vertical, external)
- 4 **MAG-CON-L90-INT** — a track connector for changing the track orientation (vertical, internal)
- 5 **MAG-CON-T90** — a T-shaped track connector changing the track orientation
- 6 **MAG-CON-X90** — an X-shaped track connector changing the track orientation

* Pictures present accessories for MAG-TRACK-4592

Mounting accessories:



- 7 **MAG-BRACKET-45** — a bracket for surface mounting / pendant mounting kit
- 8 **MAG-HANG-45** — a pendant mounting kit with adjustable height option
Two versions available: 2m / 4m
- 9 **MAG-CANOPY-45** — a ceiling base with a pendant mounting kit



ADD | INNOVATION SUPPLIER

MAGNETIC SYSTEM
A NEW QUALITY OF LIGHTING

MAG-45 SYSTEM

A magnetic rail system is a modern, convenient and flexible solution for lighting any type of room. The construction makes it easy to change the cover arrangement easily and create unique lightning solutions.

MAG-45 covers are easy to install or demount (if necessary) and to be moved and installed in a different place. They are installed with magnets. The only step is to put a lamp into the track. No additional fasteners are necessary.

MAG-45 is ideal for installations with 24 V. When installing this system, the voltage of power supply must be compatible with the voltage circuit of the fixtures.

Another advantage of this system is a possibility to use dimmer switches. To regulate the intensity of your light you can use dimmer modules included into ADD offer.

A wide range of covers, tracks and accessories for various installation systems will help you create lightning of multiple scales and configurations.

MAG-45 LED LIGHTNING SYSTEM

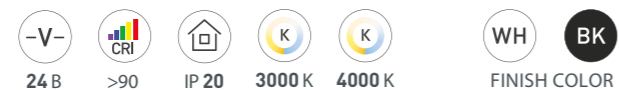
✦ A quick assembly with magnets. Safe voltage limit – 24 V.

✦ With a high CRI (>90) you can perfectly distinguish all the colour shades.

✦ Two light colours available: warm white (3000 K) and neutral white (4000 K).

✦ Two colours of element finish available: white / black.

With a wide range of fixtures, we give you the opportunity to create tailored lightning systems for different areas and purposes. A great variety of our products and an easy assembly enable a quick reconfiguration of any lighting system.



FLAT FIXTURE

Linear LED fixtures with a wide beam angle - 100° and a diffuser that ensures soft and diffused light inside a room. Perfect for general lightning.

5 models:

length (mm)	power (W)
205	6
405	12
605	18
805	24
1005	30



FLAT-FOLD FIXTURE

Linear LED fixtures with a rotatable lighting module, a wide beam angle - 100°, and a diffuser that ensures soft and diffused light inside a room. Perfect for general lightning.

5 models:

length (mm)	moc (W)
205	6
405	12
605	18
805	24
1005	30



LASER FIXTURE

Linear LED fixtures with honeycomb shape modules. Diodes with lenses installed in separate „cells“ ensure a narrow beam angle - 15°. Ideal for accent lightning.

4 models:

length (mm)	moc (W)
84	3
160	6
320	12
480	18



LASER-FOLD FIXTURE

Linear LED fixtures with honeycomb shape modules. Diodes with lenses installed in separate „cells“ ensure a narrow beam angle - 15°. Ideal for accent lightning.

4 models:

length (mm)	moc (W)
84	3
160	6
320	12
480	18



SPOT FIXTURE

A LED spotlight fixture with a classic round -shaped lightning module and adjustable angle and rotation. Ideal for small accent lightning thanks to a narrow beam angle -24°.

1 model:

length (mm)	moc (W)
85	7



SPOT-HANG FIXTURE

A fixture with a pendant lightning module of cylindrical shape, and adjustable height. A narrow beam angle - 24°. Ideal for accent lightning.

1 model:

length (mm)	moc (W)
85	7

